



Shielded Surface Mount Power Inductors - SDC105R SERIES

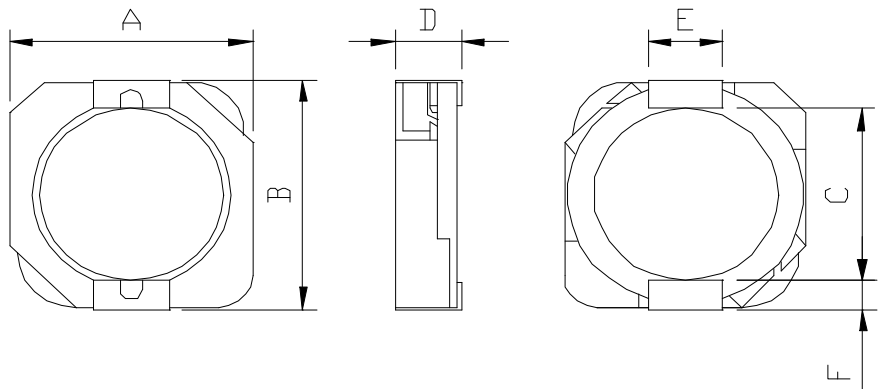


PART NUMBERING SYSTEM

SDC	105R	—	101N	—	LF
TYPE	DIMENSIONS		INDUCTANCE		LEAD FREE

SHAPES AND DIMENSIONS

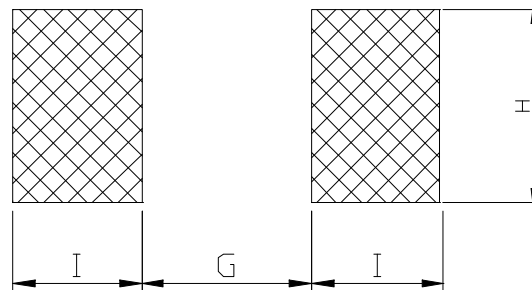
UNIT : mm



A=10.3 max. B=10.5 max. C=7.70 REF D=5.1 max. E=3.0 REF F=1.2 REF

RECOMMENDED PATTERNS

UNIT : mm



H= 3.2 G= 7.30 I = 1.60 J =1.60

FEATURES

- Compact and Low profile (5.1mm max. height) and 10.3mmx10.5mm max. square.
- Magnetically shielded and low DC resistance .



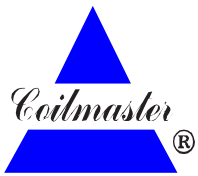
Shielded Surface Mount Power Inductors - SDC105R SERIES



ELECTRICAL CHARACTERISTICS :

PART NUMBER	INDUCTANCE (μ H)	DCR (m Ω) (Max.)	Isat (A) (Max.)	Irms (A) (Max.)	TEST FREQ. (freq.)
SDC105R-0R8N-LF	0.8 \pm 30%	4.3	13.5	9.50	100KHz
SDC105R-1R5N-LF	1.5 \pm 30%	5.8	10.5	8.30	100KHz
SDC105R-2R2N-LF	2.2 \pm 30%	7.2	9.25	7.50	100KHz
SDC105R-3R3N-LF	3.3 \pm 30%	10.4	7.80	6.50	100KHz
SDC105R-4R7N-LF	4.7 \pm 30%	12.3	6.40	6.10	100KHz
SDC105R-6R8N-LF	6.8 \pm 30%	18	5.40	5.40	100KHz
SDC105R-8R2N-LF	8.2 \pm 30%	20	4.85	5.00	100KHz
SDC105R-100N-LF	10 \pm 30%	26	4.45	4.50	100KHz
SDC105R-120N-LF	12 \pm 30%	33	4.00	3.80	100KHz
SDC105R-150N-LF	15 \pm 30%	41	3.60	3.40	100KHz
SDC105R-180N-LF	18 \pm 30%	46	3.20	3.10	100KHz
SDC105R-220N-LF	22 \pm 30%	61	2.95	2.90	100KHz
SDC105R-270N-LF	27 \pm 30%	69	2.70	2.60	100KHz
SDC105R-330N-LF	33 \pm 30%	84	2.40	2.50	100KHz
SDC105R-390N-LF	39 \pm 30%	106	2.30	2.25	100KHz
SDC105R-470N-LF	47 \pm 30%	130	2.00	2.00	100KHz
SDC105R-560N-LF	56 \pm 30%	149	1.90	1.90	100KHz
SDC105R-680N-LF	68 \pm 30%	201	1.65	1.60	100KHz
SDC105R-820N-LF	82 \pm 30%	227	1.50	1.45	100KHz
SDC105R-101N-LF	100 \pm 30%	253	1.35	1.35	100KHz
SDC105R-121N-LF	120 \pm 30%	303	1.28	1.18	100KHz
SDC105R-151N-LF	150 \pm 30%	370	1.12	1.10	100KHz
SDC105R-181N-LF	180 \pm 30%	419	1.04	1.00	100KHz
SDC105R-221N-LF	220 \pm 30%	500	0.94	0.94	100KHz
SDC105R-271N-LF	270 \pm 30%	672	0.84	0.80	100KHz
SDC105R-331N-LF	330 \pm 30%	812	0.75	0.73	100KHz
SDC105R-391N-LF	390 \pm 30%	953	0.70	0.70	100KHz
SDC105R-471N-LF	470 \pm 30%	1289	0.60	0.54	100KHz
SDC105R-561N-LF	560 \pm 30%	1430	0.54	0.52	100KHz
SDC105R-681N-LF	680 \pm 30%	1599	0.52	0.51	100KHz
SDC105R-821N-LF	820 \pm 30%	1768	0.50	0.48	100KHz
SDC105R-102N-LF	1000 \pm 30%	1989	0.48	0.42	100KHz

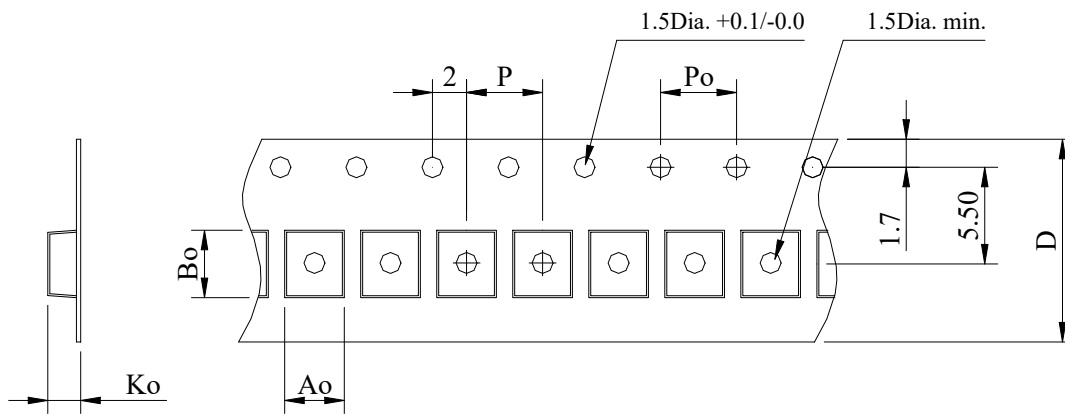
- Isat : DC current at which the inductance drops 35% (typ) from its value without current.
- Irms: The actual current when temperature of coil becomes $\Delta 40^{\circ}\text{C}$. (Ta=+25 $^{\circ}\text{C}$)
- Operating temperature range -40 $^{\circ}\text{C}$ to +125 $^{\circ}\text{C}$, Electrical specifications at 25 $^{\circ}\text{C}$.



Shielded Surface Mount Power Inductors - SDC105R SERIES



PACKAGING SPECIFICATION



STAYLE	Q' TY (PCS)	DIMENSIONS (m/m)					
		A_o	B_o	K_o	P	P_o	$D \pm 0.3$
13"	500	10.4	10.4	5.1	16.0	4.00	24.0